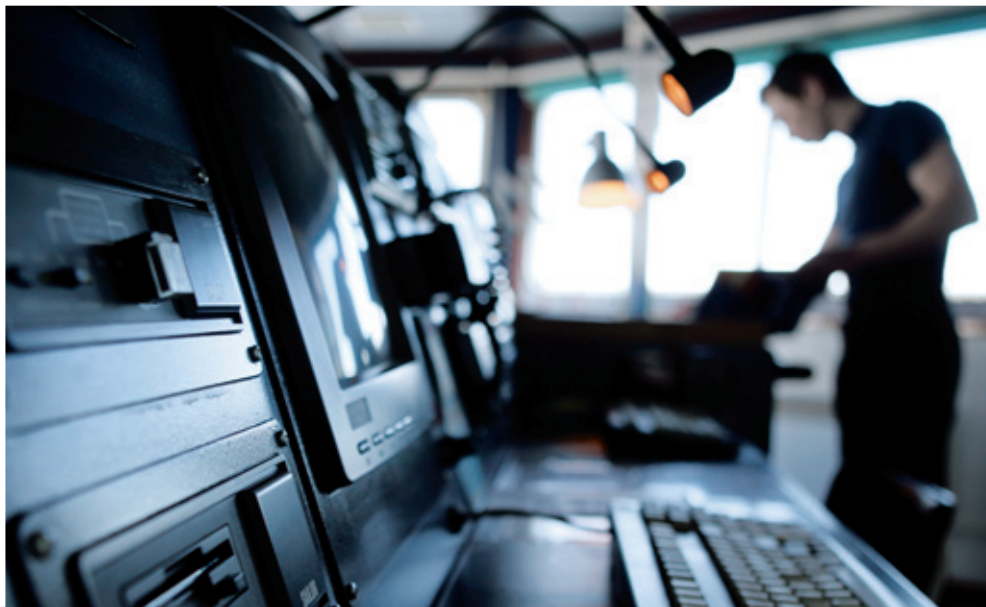
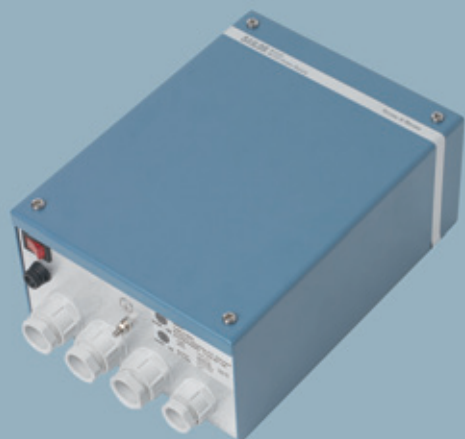


SAILOR N163S POWER SUPPLY

Universal AC/DC Power Supply

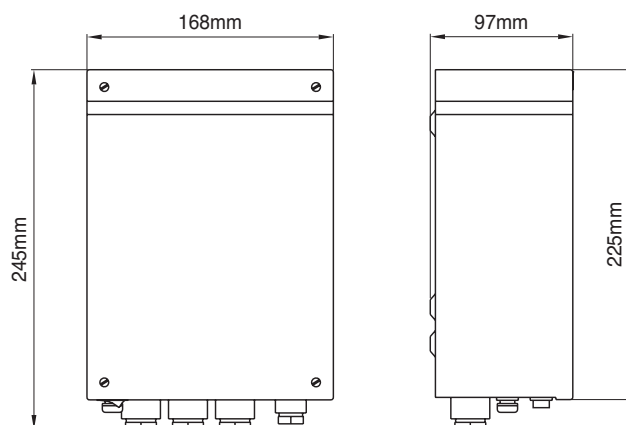


SAILOR N163S Power Supply

The SAILOR N163S Power Supply is a sturdy and reliable work horse, featuring automatic change-over from AC mains to 24V DC, ensuring continued power.

The SAILOR N163S Power Supply is recommended for the following SAILOR products from Thrane & Thrane:

- All VHF radios
- AIS
- Inmarsat-C GMDSS
- Inmarsat mini-C
- Inmarsat mini-M
- SSAS systems
- Iridium



Input Voltage:	110/127/220/237V AC
Input Power:	Max 220W
Output Voltages:	24V DC unregulated
Output Current:	7 A
Output Power:	170W
Alarm Output:	Dry contact NO/NC
Weight:	5.0 kg (11 lbs)

Specifications subject to change without notice.

SAILOR®

