

SAILOR® 6300 MF/HF

For when it really counts

Product Sheet

The most important thing we build is trust

COBHAM

Based on the same foundation of high reliability, ease of use and leading-edge functionality that has positioned SAILOR as the leading product in maritime communications, the SAILOR 6300 MF/HF DSC Class A offers much more than just a way to meet mandatory GMDSS requirements. In addition to being part of the innovative SAILOR 6000 GMDSS series, it is an integral part of a vessels communication system and a crucial tool when in distress and rugged, reliable, easy to use communications are a must.

The SAILOR 6300 MF/HF provides several unique features such as message replay functionality, and the ability to connect two control units. A highly efficient power amplifier with control hardware ensures high performance and reliable communication in the marine bands from 1.6 to 30 MHz, and ensures constant and full output power on all ITU channels.

- SAILOR Replay – 240 seconds
- High quality graphical display - perfect night and day vision
- 6W internal loudspeaker for excellent sound quality
- Improved, intuitive and easy to operate menu structure
- Unique, next generation radiotelex software
- Multiple control units
- 150W-250W-500W versions
- ThraneLINK
- Tune cache. Fast tuning to frequencies previously used

Instead of connecting the SAILOR 6300 MF/HF to an external GPS, the GPS input

can be taken from the SAILOR 6110 mini-C GMDSS or other network gps. Therefore, no additional cabling apart from LAN is needed.

More than GMDSS

The new SAILOR 6300 MF/HF is a high-end communications system in its own right. It complies with the requirement for MF/HF DSC Class A, which is part of the mandatory requirements for SOLAS vessels in all sea areas, and many national GMDSS requirements. It is developed and designed to meet the needs of professional mariners ensuring clear and powerful communication for a wide variety of

vessels including high seas fishing vessels, merchant/offshore ships and workboats.

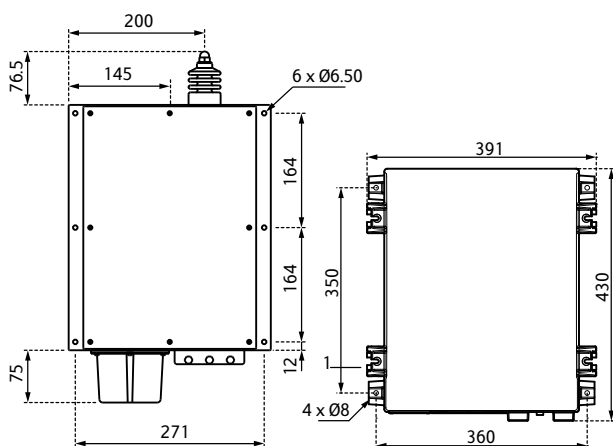
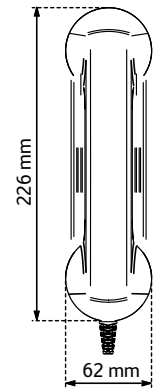
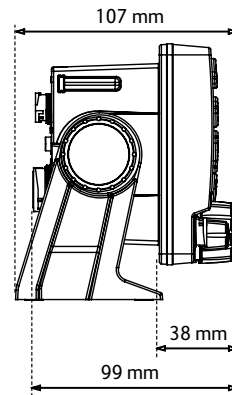
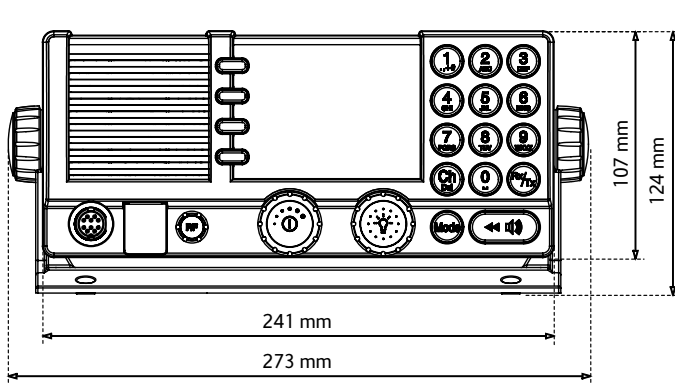
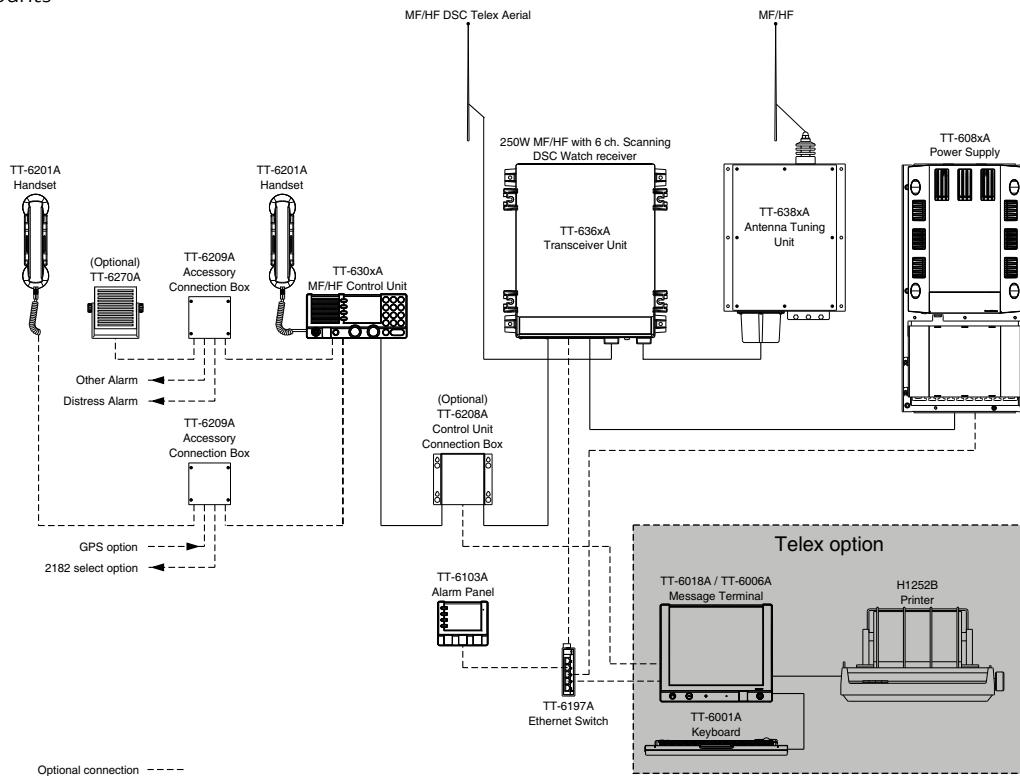
New Connections

SAILOR 6300 MF/HF can be quickly and easily connected to other critical GMDSS systems such as the SAILOR 6103 Alarm Panel. SAILOR 6300 MF/HF features the new, user-friendly radiotelex software with a state-of-art user-interface that works in combination with the new SAILOR 6018 Message Terminal. External loudspeakers, keyboards and printers can also be added easily.

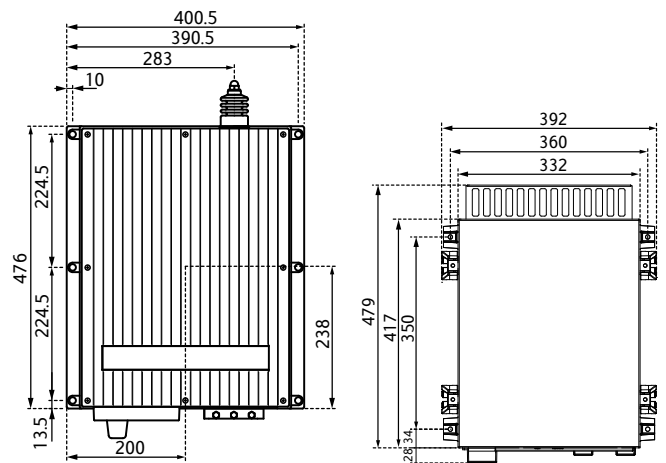


SAILOR® 6300 MF/HF

For when it really counts



150W/250W



500W

SAILOR® 6300 MF/HF

For when it really counts



SPECIFICATIONS

Operating Modes	Simplex and semi-duplex SSB telephony, DSC, TELEX and AM broadcast reception		
Operating temperature range	-15°C to +55°C (Antenna tuner: -25°C to +55°C)		
Supply voltage	Nominal 24V DC Optional external AC power supply: 115/230V AC 50/60 Hz. Automatic changeover to DC in the absence of AC supply		
Power consumption	Rx idle, 40W (approx. at 24V DC)		
	150W	250W	500W
	Tx, SSB speech: 175W	300W	600W
	Tx, SSB two-tone: 300W	550W	1100W
	Tx, DSC/TELEX: 420W	600W	1000W
User-programmable channels	199 frequency pairs with mode (1-199)		
User-programmable stations	40 stations with name, MMSI and station channel		

RECEIVER

Frequency range	150 kHz to 30 MHz		
Aerial impedance	50Ω		
Sensitivity	Telephony (J3E):	-102 dBm for 20 dB SINAD	
	Broadcast (A3E):	- 87 dBm for 20 dB SINAD	
	DSC/Telex (J2B):	-123 dBm	
Audio output power	6W with less than 10 % distortion		

TRANSMITTER

Output power	150W PEP +/- 1.4 dB into 50Ω SSB 85W +/- 1.4 dB into 50Ω for DSC/TELEX		
	250W PEP +/- 1.4 dB into 50Ω SSB. 125W +/- 1.4 dB into 50Ω for DSC/TELEX		
	500W 1.6 to 3.999 MHz 400W PEP +/- 1.4 dB into 50Ω SSB. 4.0 to 29.999 MHz 500W PEP +/- 1.4 dB into 50Ω SSB. 250W +/- 1.4 dB into 50Ω for DSC/TELEX		
Power reduction	Low approx.: 20W		
Frequency range	ITU marine bands from 1605 kHz to 30 MHz		

DSC-TELEX MODEM

DSC Equipment class	Class A
Protocols	DSC: Complies to ITU-R M. 493-13 and M. 541-9 The SAILOR 6300 MF/HF DSC fulfills the requirements of SOLAS and is intended for use in the maritime environment
Ship's identity	DSC: 9-digit identity number Telex: 5- and/or 9-digit identity numbers

INTERFACES

	NMEA: NMEA 0183 interface for GPS equipment Industrial ethernet Line Key Transceiver AF line input/output and external key interface. -10 to +10 dBm, 600Ω AUX alarm 2: Telex and non-distress/urgency DSC alarm output
--	---

DSC RECEIVER

Frequency range	150 kHz - 30 MHz
Scanning	MF: 1 frequency MF/HF: 6 frequencies
Option	Customizable frequencies

ANTENNA TUNING UNIT

Frequency range	1.6 MHz - 27.5 MHz
Aerial requirements	8-18 m wire and/or whip aerial
Aerial tuning	Fully automatic with no presetting
Tuning speed	0.1 - 8 sec Typical
Power capability	150W/250W: 350W PEP in 50Ω 500W: 600W PEP in 50Ω

DIMENSIONS AND WEIGHT

		150W/250W	500W
Transceiver Unit	Width:	390 mm (15.3")	392 mm (15.4")
	Height:	445 mm (17.5")	507 mm (20")
	Depth:	127 mm (5")	217 mm (8.5")
	Weight:	19 Kg (41.9 lbs)	28 Kg (61.7 lbs)
Antenna Tuning Unit	Width:	290 mm (11.4")	401 mm (15.8")
	Height:	500 mm (19.7")	617 mm (24.3")
	Depth:	80 mm (3.1")	356 mm (14")
	Weight:	3.3 Kg (7.3 lbs)	17 Kg (37.3 lbs)
Control Unit	Width:	241 mm (9.5")	241 mm (9.5")
	Height:	107 mm (4.2")	107 mm (4.2")
	Depth:	107 mm (3.9")	107 mm (3.9")
	Weight:	3.3 Kg (7.3 lbs)	3.3 Kg (7.3 lbs)

COBHAM

For further information please contact:

satcom.ohc@cobham.com