

Intellian v100Ka

1m Ka-band Marine Stabilized VSAT System



Ready for THOR 7's High Throughput Ka-band Service

Intellian has partnered with Telenor Satellite Broadcasting (TSBc) to deliver next generation high speed maritime connectivity using the Intellian industry leading 1m VSAT platform. Crew, passengers and shore based operations teams can benefit from true broadband connection speeds delivered through Intellian's reliable and well established 1m antenna system.

Fully iDirect Compliant

The v100Ka supports Auto Beam Switching via iDirect's OpenAMIP protocol and BUC M&C via OpenBMIP protocol which enables monitoring of the BUC's status and allows BUC's Power Amplifier (PA) to be turned off when transmission is completed for potentially extended the life of the BUC by reducing its temperature over its operating time.

Robust Remote Support Capability

Intellian v100Ka users benefit from a secure and robust SSL connection that enables a host of features, including remote firmware upgrading, log file retrieval & analysis, and instant fault finding capability.

Fast & Easy Installation

Quick-Deploy Packaging, pre-slung lifting straps, Intellian's Aptus Graphical User Interface, an intuitive front panel screen on the ACU and the list goes on. Our v-Series products have been designed from the ground up with ease of installation and use at the forefront. Captains and Fleet Managers can count on quick, pain-free installations to get vessels connected and back out to sea swiftly.

Built-In Spectrum Analyzer

All Intellian v-Series products include a built-in spectrum analyzer. This convenient feature can be accessed wirelessly onboard via Aptus PC or Mobile. Both on board and shore based technical support engineering staff can also view signal quality data in real time remotely via Aptus Web, eliminating the challenge of over the phone support.

Intellian LAN

All Intellian systems feature the Intellian LAN function, enabling integrated monitoring & control of all the Intellian networked devices such as TVRO and FleetBroadband products which support out-of-band management to bring the ultimate service reliability.

Intellian

Connect with the best

Intellian v100Ka

1m Ka-band
Marine Stabilized VSAT System

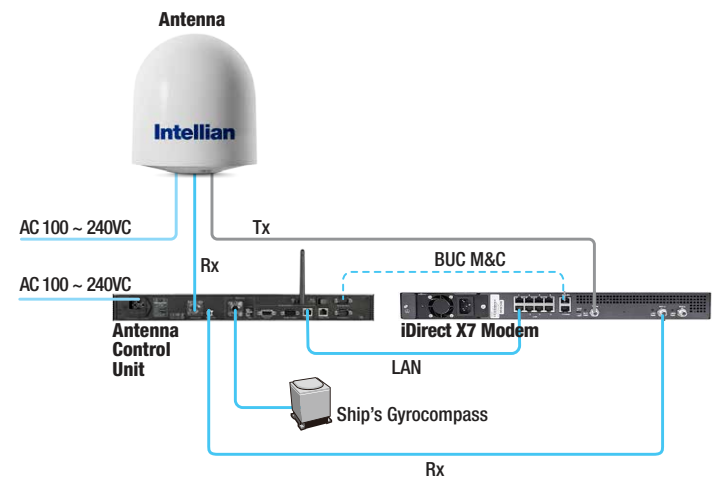
Technical Specifications

Physical	
Radome Height	151cm / 59.63"
Radome Diameter	138cm / 54.33"
Reflector Diameter	103cm / 41"
Weight	Approx. 128kg / 282lbs
Stabilized Pedestal Assembly	
Platform	3-axis : Azimuth, Elevation, Cross-level
Azimuth Range	Unlimited
Elevation Range	-20° to +115°
Cross-level Range	Up to ±37°
Stabilization Accuracy	0.2° max in presence of specified ship motions
Motor Brake System	Elevation, Cross-Level
Power Requirement	100~240V AC, 50~60Hz, 3A
Reflector & Feed Assembly	
TX Frequency	29.00~30GHz Ka-band
TX Gain	47.7 dBi @ 29.5GHz (with Radome)
RX Frequency	19.2~20.2GHz Ka-band
RX Gain	43.7 dBi @ 19.7GHz (with Radome)
G/T	> 20 dB/K (min.)
BUC	5W Ka-band BUC
LNB	Ka-band LNB (L.O. 18.25GHz)
Polarization	Circular, Tx:RHCP / Rx:LHCP
Antenna Control Unit	
Dimensions (WxDxH)	43.1cm x 38cm x 4.4cm / 17" x 15" x 1.7"
Weight	3.5kg / 7.7lbs
Display	2 line 40 character graphic VFD module
Ship's Gyrocompass Interface	NMEA 2000 / NMEA 0183
Modem Interface	Ethernet port/ RS-232C/ I/O ports
BUC Interface	RS-232 / RS-422
Remote Management	Yes
Wi-Fi Operation	Yes
Management Port	Yes (Ethernet/ USB/ Serial)
Power Requirement	100~240V AC, 50~60Hz, 1A

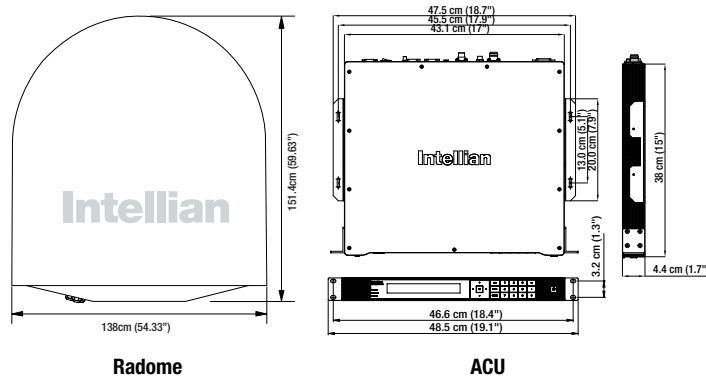
Key Features

- Ready for THOR 7's High Throughput Ka-band Service
- Fully iDirect Compliant
- Robust Remote Support Capability
- Fast and Easy Installation
- Built-in Spectrum Analyzer
- Intellian LAN

System Diagram



System Dimensions



Antenna Control Unit

Front View



Rear View



Global HQ
Innovation Center / Factory
Intellian Technologies, Inc
T +82 31 379 1000
F +82 31 377 6185

APAC
Seoul Office
Intellian Technologies, Inc.
T +82 2 511 2244
F +82 2 511 2235

Americas
Irvine Office
Intellian Technologies USA, Inc.
T +1 949 727 4498
F +1 949 271 4183
Toll Free +1 888-201-9223

EMEA
Rotterdam Office
Intellian B.V.
T +31 1 0820 8655
F +31 1 0820 8656